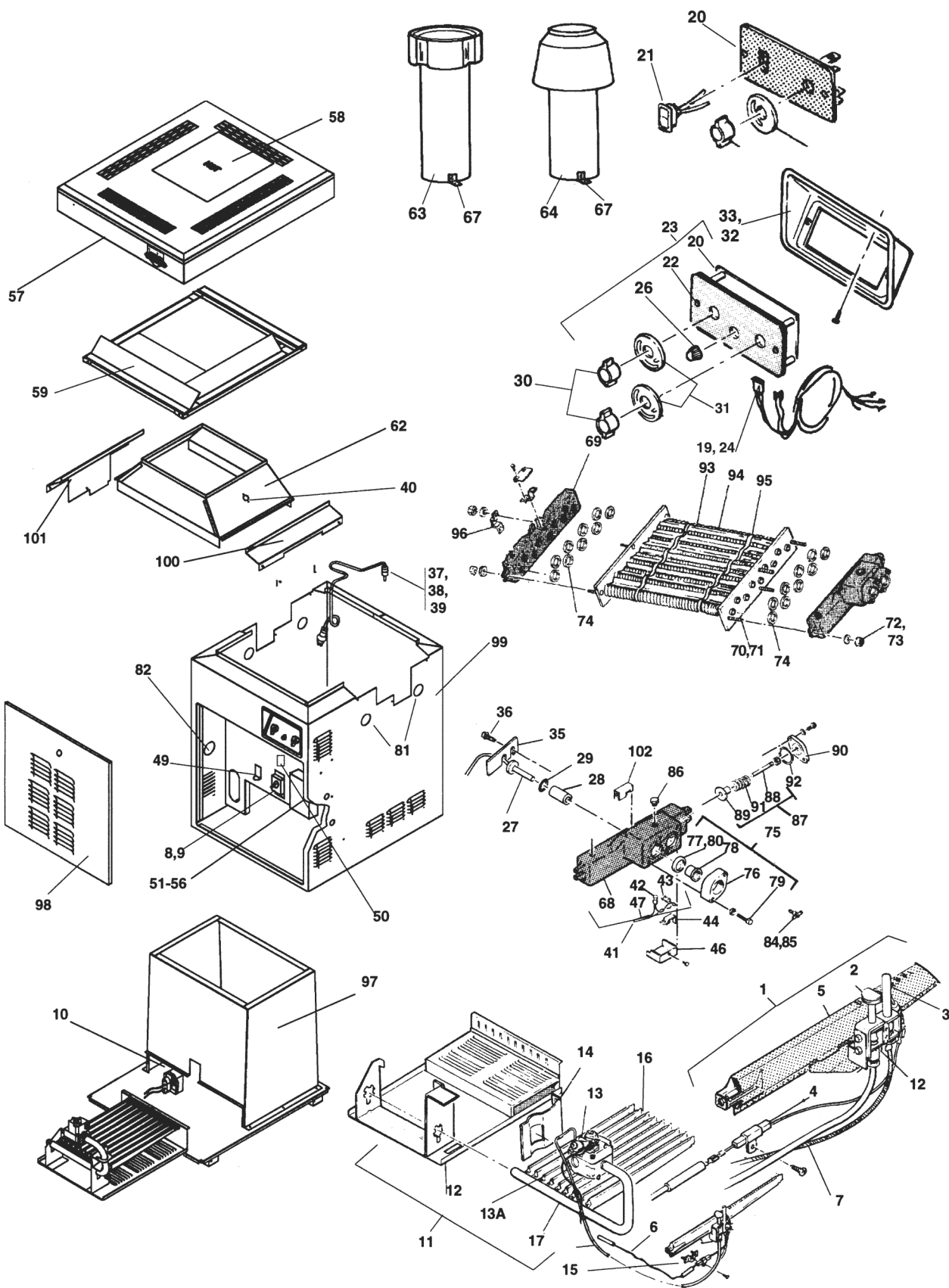


Laars Lite® (Mfg. 1997-2000) Parts List and Diagram



Laars Lite® (Mfg. 1997-2000) Parts List and Diagram

Key No	Description	Model No	ORDER PART NO	Key No	Description	Model No	ORDER PART NO
PILOT GAS SYSTEM - LLG							
1	Pilot, Main Burner Assembly, LPG	All	R0099200	51	Ignition Control Assembly - LLD	All	R0317500
1	Pilot, Main Burner Assembly, NAT	All	R0099100	52	Ignition Control - LLD	All	R0325200
2	Pilot Burner, NAT	All	R0096700	53	Harness Assembly	All	R0059800
2	Pilot Burner, LPG	All	R0096600	54	Transformer (115V-220V/24V)	All	R0061100
2A	Pilot Shield	All	R0323300	55	Ignition Control Panel	All	10451200
3	Pilot Generator	All	W0036901	56	In-Line Fuse Assembly	All	10480000
4	Ceramic Insulator Assembly	All	R0011600	VENT SYSTEM			
5	Burner, Main w/Pilot Bracket	All	10457500	57	Top Enclosure	125-400	R0313201-05
6	High Voltage Lead Assembly	All	R0099000	58	Top Filler	125-400	10535201-05
7	Pilot Tubing	All	R0037000	59	Rainshield Kit	125-400	R0318301-05
8	Piezo Lighter Assembly	All	R0096800	62	Flue Collector Assembly	125-400	R0316401-05
9	Piezo Lighter Knob	All	R0097000	63	Outdoor Vent Cap	125-400	10561501-05
10	Ignitor - LLD	All	R0317200	64	Indoor Drafthood	125-400	10561401-05
MAIN GAS ASSEMBLY							
11	Burner Tray Assy, NAT (Note 1) - LLG	125-400	R0098601-05	65	Flue Transition Plate	125-400	10861901-05
11	Burner Tray Assy, LPG (Note 1) - LLG	125-400	R0098701-05	66	Adapter Plate	125-400	10535301-05
11	Burner Tray Assy, NAT (Note 1) - LLD	125-400	R0316901-05	67	Clip	All	10211000
11	Burner Tray Assy, LPG (Note 1) - LLD	125-400	R0319501-05	WATER SYSTEM			
12	Burner Tray, Shelf Only	125-400	R0317001-05	68	Inlet/Outlet Header, 2"	All	R0056400
13	Gas Valve, NAT - LLG	All	R0096400	68	Inlet/Outlet Header, Bronze, 2"	All	R0016800
13	Gas Valve, LPG - LLG	All	R0096900	69	Return Header	All	R0058300
13	Gas Valve, NAT - LLD	All	R0317100	69	Return Header, Bronze	All	R0054600
13	Gas Valve, LPG - LLD	All	R0319600	70	Header Bolt Assembly	All	R0057000
13A	Gas Orifice, NAT (Note 1)	All	L0032200	71	Bolt for Headers, 2 1/2"	All	F0046100
13A	Gas Orifice, LPG (Note 1)	All	L0032900	72	Washer for Headers	All	F0011100
14	Anti-Rotation Bracket	All	10577200	73	Nut for Headers	All	F0003100
15	Mounting Bracket Assembly	All	10419200	74	Header Gasket Assembly (Set of 18)	All	R0050800
16	Burner, Main	All	L0052300	75	Flange & Gasket Assembly (Note 3)	All	R0055000
17	Burner Manifold (Note 2)	All	L0052300	76	Flange, 2"	All	10573500
ELECTRICAL SYSTEM							
18	Temperature Control Assembly - LLG	All	R0058200	77	Flange Gasket, 2"	All	S0078000
19	Wire Harness	All	R0058000	78	Flange Sleeve, 2"	All	S0078200
20	Plate Assembly	All	10456300	79	Flange Bolt	All	F0031700
21	On-Off Switch	All	R0099800	80	Flange Gasket, 1 1/2 - 2"	All	S0078100
22	Temperature Control Label	All	H0201100	81	Grommet for Drain Plug	All	R0316300
23	Temperature Control Assembly - LLD	All	R0011700	82	Grommet, Slitted	All	S0071100
24	Wire Harness Assembly	All	10457800	83	Hole Plug	All	S0098700
25	Plate Assembly	All	10594600	84	Drain Plug	All	P0026800
26	Knob, Single Bar	All	R0099900	85	Drain Plug Bushing	All	P0018500
Key Nos. 27- 36 are for both R582 & R117							
27	Temperature Sensor	All	R0011800	86	Brass Plug, 3/4"	All	P0027000
28	Protector Sleeve, Bulb	All	10444900	87	By-Pass Assembly	All	R0054900
29	"O" Ring, Temperature Control Bulb	All	E0116400	88	By-Pass Valve Rod	All	S0074300
30	Thermostat Knob, Black	All	R0010700	89	By-Pass Valve Disc	All	R0011500
31	"Temp-Lok" Stop Plate (Not Shown)	All	10583100	90	By-Pass Valve Control Cap	All	10452200
32	Temperature Control Gasket	All	S0070000	91	By-Pass Valve Spring, Purple	125	S0079900
33	Bezel	All	S0069800	91	By-Pass Valve Spring, White	175	S0061400
34	Stop Plate Screw	All	F0033300	91	By-Pass Valve Spring, Red	250	S0061300
35	Retainer Bracket	All	10447300	91	By-Pass Valve Spring, Blue	325	S0061200
36	Retainer Bracket Screw	All	F0009100	91	By-Pass Valve Spring, Black	400	S0070100
37	Pressure Switch & Siphon Loop Assembly	All	N/A	92	By-Pass Valve Gasket	All	R0011400
38	Pressure Switch, 2 PSI	All	R0013200	93	Heat Exchanger Tube Assembly	125-400	R0018101-05
38	Pressure Switch, 1 PSI	All	R0011300	94	Heat Exchanger Baffle (8 Required)	125-400	10697401-05
38	Pressure Switch, 1-10 PSI	All	R0015500	95	Baffle Retainer	All	S0083900
39	Siphon Loop Assembly	All	R0057800	96	Heat Exchanger Support Clip (Note 4)	All	N/A
40	Redundant Replacement Kit	All	R0337400	FIREBOX COMPONENTS			
41	High-Limit Switch Assembly	All	R0023200	97	Complete Chamber Assembly	125-400	R0316701-05
42	High-Limit Switch, 135°F	All	R0022700	JACKET COMPONENTS			
43	High-Limit Switch, 150°F	All	R0023000	98	Door with Latch	125-400	R0313401-05
44	High-Limit Switch Retainer Clip	All	10728500	99	Jacket Assembly, Less Top Assembly	125-400	R0316501-05
45	High-Limit Switch Retainer Boot	All	S0098900	100	Gap Closure, Inlet/Outlet	All	10448200
46	High-Limit Switch Cover	All	10418300	101	Gap Closure, Return	All	10448300
47	High-Limit Switch Wire Harness	All	10419300	102	Insulation and Retainer	All	10462200
48	Fusible Link Assembly	All	R0012200	OPTIONAL COMPONENTS			
49	Fusible Link Bracket	All	10479900		Non Combustible Base	125-400	10521701-05
50	Terminal Block	All	R0097800		Pressure Relief Valve 3/4" NPT, 75 PSI	All	R0040400
					Touch Up Spray Paint, Light Beige	All	X0021100

Notes:

1. For altitudes 2,000 Ft above sea level, see page 41 or appendix. 2. See appendix.
3. Two included in assembly. 4. For shipping only.