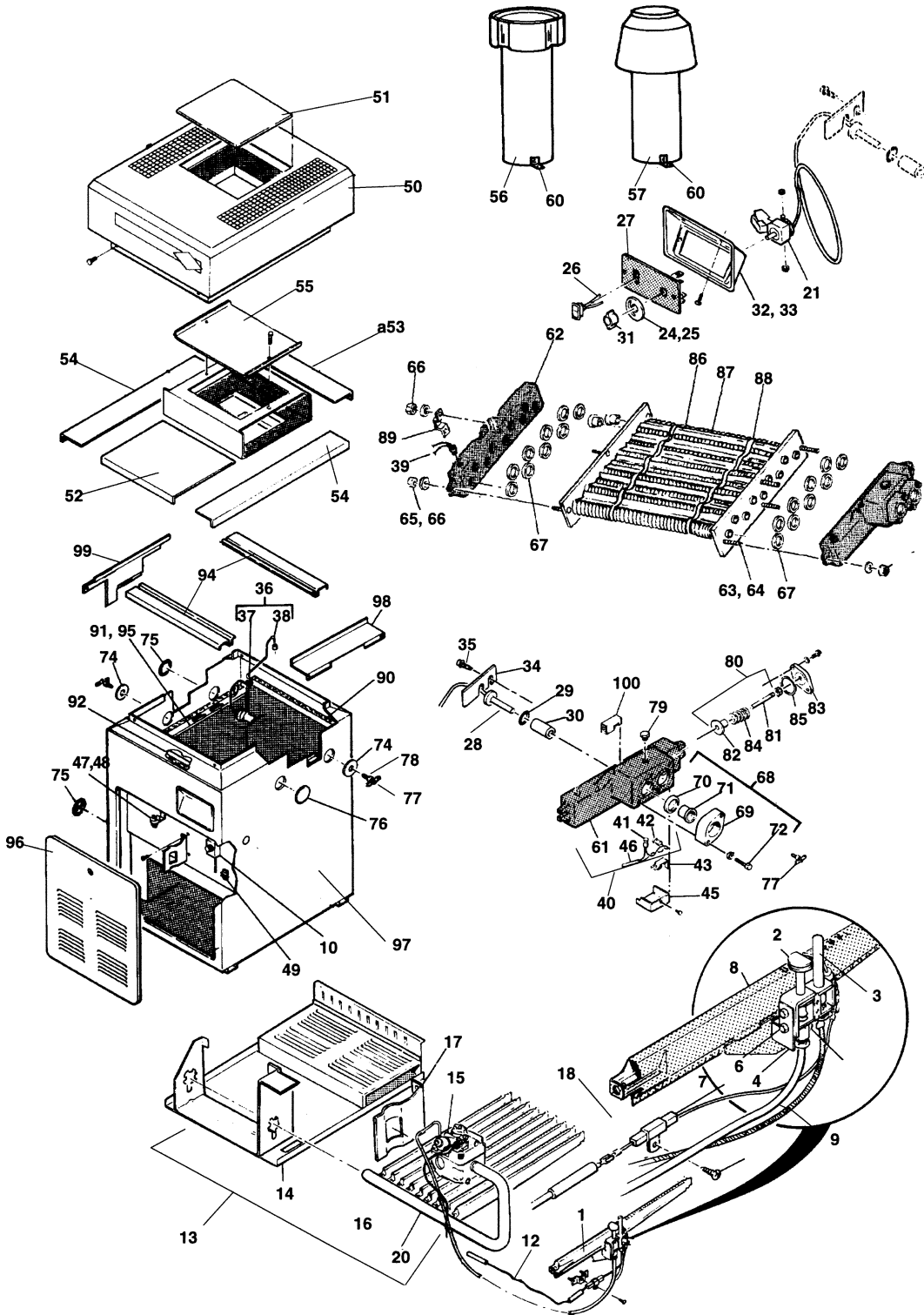


Series 2 Model ESG Heater (Mfg. 1993-1996) Parts List and Diagram



Series 2 Model ESG Heater (Mfg. 1993-1996) Parts List and Diagram

Key No	Description	Model No	ORDER PART NO	Key No	Description	Model No	ORDER PART NO
PILOT GAS SYSTEM				WATER SYSTEM			
1	Pilot, Main Burner Assembly, NAT	All	R0099100	61	Inlet/Outlet Header, 2"	All	R0056400
1	Pilot, Main Burner Assembly, LPG	All	R0099200	61	Inlet/Outlet Header, Bronze, 2"	All	R0016800
2	Pilot Burner, NAT	All	R0096700	62	Return Header	All	R0058300
2	Pilot Burner, LPG	All	R0096600	62	Return Header, Bronze	All	R0054600
3	Pilot Generator	All	W0036901	63	Header Bolt Assembly	All	R0057000
4	Pilot Bracket Adapter	All	10576400	64	Bolt for Headers, 2 1/2"	All	F0046100
5	Pilot Shield	All	R0323300	65	Washer for Headers	All	F0011100
6	Pilot Bracket Screw	All	F0031300	66	Nut for Headers	All	F0003100
7	Ceramic Insulator Assembly	All	R0099300	67	Header Gasket Assembly (Set of 18)	All	R0050800
8	Burner, Main w/Pilot Brkt	All	10457500	68	Flange & Gasket Assembly (Note 4 & 5)	All	R0055000
9	Pilot Tubing	All	R0037000	69	Flange, 2"	All	10573500
10	Piezo Lighter Assembly	All	R0096800	70	Flange Gasket, 2"	All	S0078000
11	Piezo Lighter Knob	All	N/A	71	Flange Sleeve, 2"	All	S0078200
12	High Voltage Lead Assembly	All	R0098900	72	Flange Bolt	All	F0031700
MAIN GAS ASSEMBLY				73	Flange Gasket, 1 1/2 - 2" (Not Shown)	All	S0078100
13	Burner Tray Assembly, NAT (Note 1)	125-400	R0098601-05	74	Grommet for Drain Plug	All	R0316300
13	Burner Tray Assembly, LPG (Note 1)	125-400	R0098701-05	75	Grommet, Slitted	All	S0071100
14	Burner Tray, Shelf Only	125-400	R0317001-05	76	Hole Plug	All	S0098700
15	Gas Valve, NAT	All	R0096400	77	Drain Plug	All	P0026800
15	Gas Valve, LPG	All	R0096900	78	Drain Plug Bushing	All	P0018500
16	Gas Orifice, NAT (Note 1)	All	L0032200	79	Brass Plug, 3/4"	All	P0027000
16	Gas Orifice, LPG (Note 1)	All	L0032900	80	By-Pass Assembly	All	R0013100
17	Anti-Rotation Bracket	All	10577200	81	By-Pass Valve Rod	All	R0054800
18	Mounting Bracket Assembly	All	10419200	82	By-Pass Valve Disc	All	S0074300
19	Burner, Main	All	L0052300	83	By-Pass Valve Control Cap	All	S0069100
20	Burner Manifold (Note 3)			84	By-Pass Valve Spring, Purple	125	S0079900
ELECTRICAL SYSTEM				84	By-Pass Valve Spring, White	175	S0061400
21	Temperature Control Assembly	All	R0058200	84	By-Pass Valve Spring, Red	250	S0061300
22	Wire Harness (Not Shown)	All	R0058000	84	By-Pass Valve Spring, Blue	325	S0061200
23	Plate Assembly	All	10456300	84	By-Pass Valve Spring, Black	400	S0070100
24	"Temp-Lok" Stop Plate	All	10456700	85	By-Pass Valve Gasket	All	R0011400
25	Stop Plate Screw	All	F0033300	86	Heat Exchanger Tube Assembly	125-400	R0018101-05
26	On-Off Switch	All	R0094100	87	Heat Exchanger Baffle (8 Required)	125-400	10697401-05
27	Temperature Control Label	All	H0105300	88	Baffle Retainer	All	S0083900
28	Temperature Sensor	All	R0011800	89	Heat Exchanger Support Clip	All	N/A
29	"O" Ring, Temp Control Bulb	All	E0116400	FIREBOX COMPONENTS			
30	Protector Sleeve, Bulb	All	10444900	90	Insulation, Fiberglass (Sold by Ft.)	All	T0002000
31	Thermostat Knob, Black	All	R0010700	91	Side Tile, 22 3/8" x 16 1/2" (Note 6)	All	N/A
32	Temperature Control Gasket	All	S0070000	92	Front Tile, 18 5/8" x 9 1/8" (Note 6)	125	N/A
33	Bezel	All	S0069800	92	Front Tile, 18 5/8" x 12 1/8" (Note 6)	175	N/A
34	Retainer Bracket	All	10447300	92	Front Tile, 18 5/8" x 16 1/8" (Note 6)	250	N/A
35	Retainer Bracket Screw	All	F0009100	92	Front Tile, 18 5/8" x 20 7/8" (Note 6)	325	N/A
36	Pressure Switch & Siphon Loop Assembly	All	N/A	92	Front Tile, 18 5/8" x 25 7/8" (Note 6)	400	N/A
37	Pressure Switch, 2 PSI	All	R0013200	93	Rear Tile, 22 15/16" x 9 1/8" (Note 6)	125	N/A
37	Pressure Switch, 1 PSI	All	R0011300	93	Rear Tile, 22 15/16" x 12 1/8" (Note 6)	175	N/A
37	Pressure Switch, 1-10 PSI	All	R0015500	93	Rear Tile, 22 15/16" x 16 5/8" (Note 6)	250	N/A
38	Siphon Loop Assembly	All	R0057800	93	Rear Tile, 22 15/16" x 20 7/8" (Note 6)	325	N/A
39	High-Limit Switch, Redundant 275*	All	R0012800	93	Rear Tile, 22 15/16" x 25 7/8" (Note 6)	400	N/A
40	High-Limit Switch Assembly	All	R0023200	94	Front and Rear Tile Cover	125-400	10314901-05
41	High-Limit Switch, 135* F	All	R0022700	95	Side Tile Cover	All	10167300
42	High-Limit Switch, 150* F	All	R0023000	JACKET COMPONENTS			
43	High-Limit Switch Retainer Clip	All	10728500	96	Door with Latch	125-400	R0313401-05
44	High-Limit Switch Retainer Boot (Not Shown)	All	S0098900	97	Jacket Assembly, Less Top Assembly	125-400	10447901-05
45	High-Limit Switch Cover	All	10418300	98	Gap Closure, Inlet/Outlet Side	All	10448200
46	High-Limit Switch Wire Harness	All	10419300	99	Gap Closure, Return Side	All	10448300
47	Fusible Link Assembly	All	R0012200	100	Insulation and Retainer	All	10462200
48	Fusible Link Bracket	All	10479900	OPTIONAL COMPONENTS			
49	Terminal Block	All	R0097800		Non Combustible Base	125-400	10521701-05
VENT SYSTEM					Pressure Relief Valve 3/4" NPT, 75 PSI	All	R0040400
50	Top Enclosure	125-400	N/A		Touch Up Spray Paint, Sandstone (Note 2)	All	X0016000
51	Top Filler	125-400	10535201-05	MODELS WITH SERIAL NOS. "G" AND LATER (Not Shown)			
52	Rainshield, Front	125-400	R0098001-05	101	Redundant High Limit Replacement Kit	All	R0337400
53	Rainshield, Rear	125-400	R0098101-05	97	Jacket Assembly, Less Top Assembly	125-400	R0316501-05
54	Rainshield, Side	125-400	R0098201-05	96	Door with Latch	125-400	R0313401-05
55	Flue Collector Assembly	125-400	N/A	50	Top Enclosure	125-400	R0313201-05
56	Outdoor Vent Cap	125-400	10561501-05	55	Flue Collector Assembly	125-400	R0316401-05
57	Indoor Drafthood	125-400	10561401-05	52	Rainshield Kit	125-400	R0326101-05
58a	Flue Transition Plate (Not Shown)	125-400	10741001-05	91	Side Tile (Note 7)	All	N/A
58b	Flue Transition Plate "G" Series	125-400	10852501-05	92,93	Front / Rear Tile (Note 7)	125-400	N/A
59	Adapter Plate (Not Shown)	125-400	10535301-05	90	Insulation, Fiberglass (Sold by Ft)	All	T0027100
60	Clip	All	10211000	Notes: 1. For altitudes 2,000 Ft above sea level, call factory for orifice size. 2. Serial No. F95PE1719 and above use P/N X0021100, Lt Beige. 3. See Appendix. 4. Two included in assembly. 5. Available in bronze as assembly R0015000. 6. Use kit R0325301-05. All 4 sides included. 7. Use kit R0325401-05. All 4 sides included.			