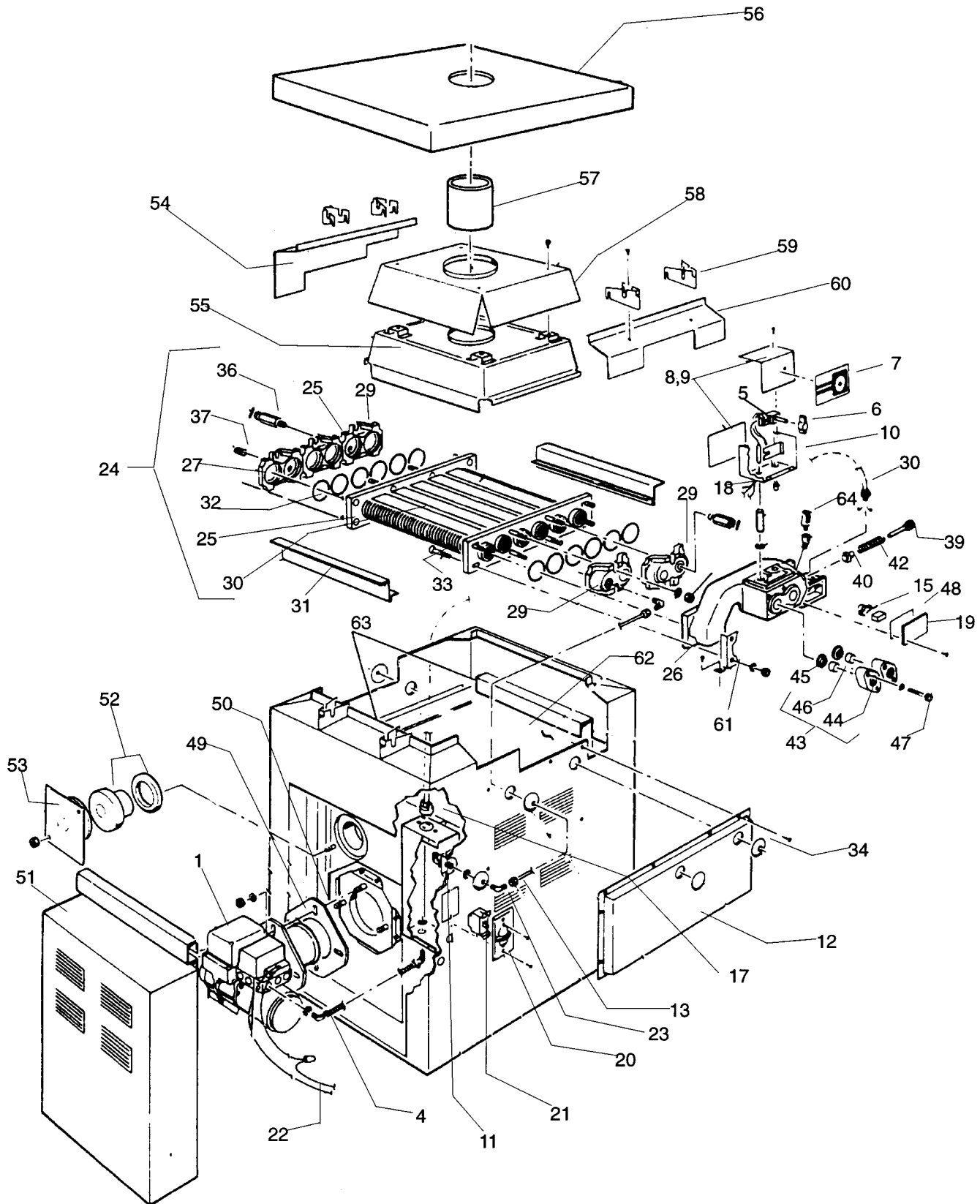


XL-3 Oil Fired Heater (Mfg. 1999-Present) Parts List and Diagram



XL-3 Oil Fired Heater (Mfg. 1999-Present) Parts List and Diagram

Key No.	Description	Model No.	ORDER PART NO.	Key No.	Description	Model No.	ORDER PART NO.
FUEL SYSTEMS				48	Gasket	All	S0065300
1	Oil Burner Assembly	2000	L0060000	FIRE BOX & JACKET COMPONENTS			
1	Oil Burner Assembly	3000	L0060100	49	Burner Tube Gasket	All	N0006600
2	Oil Filter (Not Shown)	All	P0065100	50	Burner Support Bracket	All	10392000
3	Oil Filter Cartridge (Not Shown)	All	P0065500	51	Burner Compartment Door	2000	10412203
4	3/8" Oil Line, Pump to Filter	All	10430402	51	Burner Compartment Door	3000	10412204
ELECTRICAL SYSTEM				52	Fire Box Plug	All	T0020700
5	Thermostat	All	R0318800	53	Fire Box Cover Plate	All	10425800
6	Thermostat Knob	All	R0010700	54	Gap Spacer (Return)	All	10401000
7	Thermostat Dial	All	R0057900	55	Flue Collector Assembly	All	10406301
8	Thermostat Cover	All	R0057900	55	Flue Collector Assembly	All	10406302
9	Thermostat Back	All	R0057900	56	Flue Top Assembly	2000	10405001
10	Thermostat Base Plate	All	R0057900	56	Flue Top Assembly	3000	10405002
11	Pressure Switch, 1-10 PSI	All	R0045400	57	Inner Stack	All	10390000
12	Siphon Loop Cover	All	10403400	58	Flue Collector Shield	2000	10404501
13	Siphon Loop Assembly	All	R0057800	58	Flue Collector Shield	3000	10404502
14	High-Limit Switch Assembly	All	R0023200	59	Vent Blade (10)	All	10319300
15	High-Limit Switch, 135°F	All	R0022700	60	Gap Spacer (In/Out)	All	10400900
16	High-Limit Switch, 150°F	All	R0012700	61	Hold Down Clip	All	10401200
17	High-Limit Switch Harness (115V)	All	R0057500	62	Fire Box	2000	T0020500
18	High-Limit Switch Harness	All	R0057700	62	Fire Box	3000	T0020600
19	High-Limit Switch Cover	All	10401100	63	Fire Box Cover (2)	2000	10400801
20	Switch Cover	All	E0078300	63	Fire Box Cover (2)	3000	10400802
21	ON/OFF Switch	All	E0156000	OIL BURNER PARTS & COMPONENTS (Not Shown)			
22	Oil Burner Harness	All	R0057600	Air Tube Screw	All	F0004300	
23	Connector Elbow 90°	All	P0059800	Pilot Bracket Screw	All	F0031300	
WATER SYSTEMS				End Air Shutter	All	N0000200	
24	Heat Exchanger Assembly, Complete	2000	10927101	Bulk Air Band	All	N/A	
24	Heat Exchanger Assembly, Complete	3000	10927102	Air Tube Gasket	All	N/A	
25	Heat Exchanger	2000	10927001	Motor, 1/7 H.P. , 3450 RPM	All	N0001000	
25	Heat Exchanger	3000	10927002	Blower Wheel 4- 1/4" x 3- 7/16"	All	N0001400	
26	Inlet/Outlet Header	All	S0065500	Flexible Coupling	All	N0001500	
27	End Cap (1/2" tap)	All	10403900	Fuel Unit, Two Stage	All	R0140100	
28	End Cap (No tap)	All	S0065600	Pump Outlet Fitting	All	N0002000	
29	End Cap (1/4" tap)	All	10403800	Connector Tube Assembly	All	N0002200	
30	Tee Baffle (5)	2000	10926901	Ignition Transformer	All	R0140200	
30	Tee Baffle (5)	3000	10926902	Contact Spring Terminals	All	N0002600	
31	End Baffle (2)	2000	10387702	Air Tube Combination	All	N/A	
31	End Baffle (2)	3000	10387703	Nozzle Line Electrode Assembly	All	N0003100	
32	Tube Gaskets (12)	All	S0063400	Electrode Clamp	All	N0003500	
34	Grommet (2 Required)	All	S0098800	Electrode Rod & Tip	All	N0004000	
35	Brass Plug, 3/4" (1)	All	P0027000	Burner Head & Screws	All	N0004500	
36	Drain Valve Extension	All	P0059900	Burner Head	2000	N/A	
37	Drain Plug, 1/4" (3)	All	P0026800	Burner Head	3000	N/A	
38	By-Pass Assembly	All	R0020600	Delavan Nozzle, 2.25	3000	N0007500	
39	By-Pass Valve Rod	All	S0074300	Delavan Nozzle, 1.65	2000	N0007600	
40	By-Pass Valve Disc	All	S0074200	Primary Control	All	R0140300	
41	By-Pass Valve Rod Retainer	All	S0008700	Honeywell Cad Cell	All	N0006100	
42	By-Pass Valve Spring	2000	S0061300	By-Pass Plug	All	N0007000	
42	By-Pass Valve Spring	3000	S0061300	By-Pass Plug	All	N0007100	
43	Flange & Gasket Assembly	All	R0031900	1/8" Burner Head Plug	All	P0026100	
44	Flange, 1 1/2"	All	10309200	1/4" Burner Head Plug	All	P0026800	
45	Flange Gasket, 1 1/2"	All	S0053100	OPTIONAL EQUIPMENT			
46	Flange Sleeve, 1 1/2"	All	S0028000	64	Pressure Relief Valve, 3/4" NPT, 75 PSI	All	R0040400
47	Flange Bolt	All	F0031700	Chimney Cap - 9" (Not Shown)	All	D0014900	