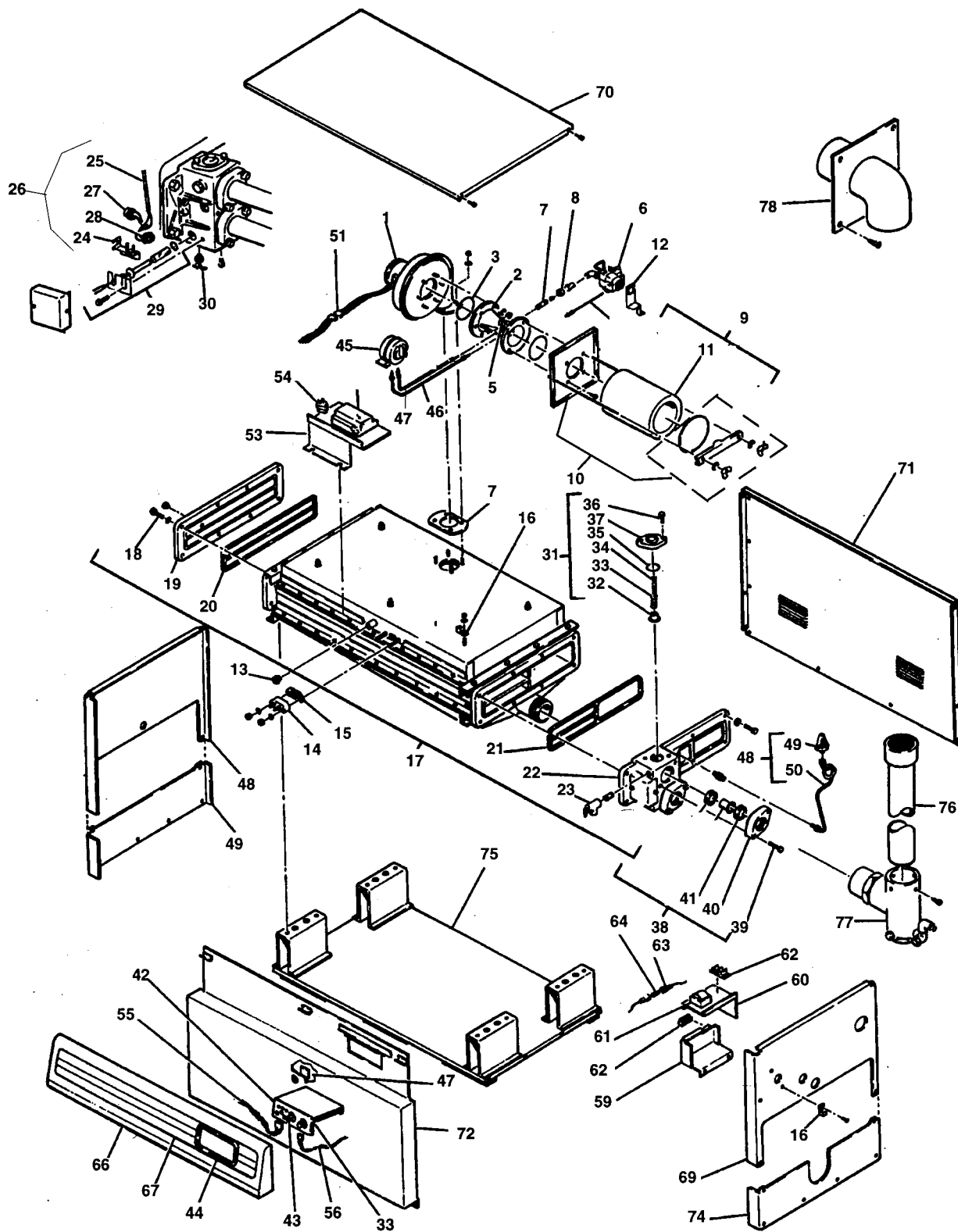


Hi-E Model EPH Heater (Mfg. 1991-1996) Parts List and Diagram



Hi-E Model EPH Heater (Mfg. 1991-1996) Parts List and Diagram

Key No. Description	ORDER PART NO.	Key No. Description	ORDER PART NO.
GAS SYSTEM			
1 Combustion Fan	R0204700	53 Ignition Control Bracket	R0209100
2 Venturi	R0015700	54 Fusible Link Assembly	R0012200
3 Venturi O-Ring	R0205400	55 8-Pin Harness Assembly	R0212300
4 Combustion Fan Gasket	R0205500	56 3-Pin Harness Assembly	N/A
5 Pressure Test Point Plug	R0204800	57 Combustion Fan Harness	R0206700
6 Gas Valve	R0200100	58 Neutral Lug	E0106800
7 Gas Orifice Nipple	N/A	59 Junction Box, Bottom	R0209500
8 Gas Orifice, NAT	R0205700	60 Junction Box, Top	R0209600
8 Gas Orifice, LPG	R0205800	61 Transformer (120/24VAC)	R0061100
9 Filter Assembly	R0204500	62 Terminal Strip Assembly	R0209700
10 Filter Support Kit	R0206200	63 Fuse Assembly	R0212600
11 Air Filter	R0201800	64 Fuse, 1-1/4 Amp.	R0012300
12 Gas Valve Bracket	R0210900	JACKET COMPONENTS	
13 View Port	R0201500	65 Sight Glass	F0038700
14 Igniter Assembly	R0016400	66 Upper Front Panel	R0205100
15 Igniter Gasket	R0205300	67 Upper Front Panel Label	R0209800
16 Bonding Lug	E0092000	68 Upper Left Side Panel	R0210100
WATER SYSTEM			
17 Burner/Heat Exchanger Assembly	N/A	69 Upper Right Side Panel	R0210500
18 Header Bolt and Washer Assembly	R0205900	70 Top Panel	R0210300
19 Return Header, Bronze	N/A	71 Rear Panel	R0210400
20 Return Header Gasket	N/A	72 Lower Front Panel	R0210000
21 Inlet/Outlet Header Gasket	N/A	73 Lower Left Side Panel	R0210200
22 Inlet/Outlet Header	R0202600	74 Lower Right Side Panel	R0210700
23 Pressure Relief Valve, 3/4" NPT, 75 PSI	R0040400	75 Base Assembly	R0210800
24 High Limit Bracket	R0207800	76 Vent Stack Assembly	N/A
25 High Limit Harness	N/A	77 Vent Adapter Assembly	N/A
26 High-Limit Switch Assembly	R0023200	78 Vent Termination*	10685600
27 High Limit Switch, 135°F	R0022700	*Required for indoor installations	
28 High Limit Switch, 150°F	R0023000	NOTE:	
29 Temperature Sensor Assembly	N/A	1. For Serial Numbers starting with "A" order Temp Control Replacement Kit R0307700.	
30 Drain Cock/Plug Kit	N/A		
31 By-Pass Assembly	R0208200		
32 By-Pass Disk	R0011500		
33 By-Pass Spring, Green	R0202000		
34 By-Pass Rod/Nut Assembly	R0206100		
35 By-Pass Valve Gasket	R0011400		
36 By-Pass Bolt and Washer Assembly	R0206000		
37 By-Pass Valve Cap	10557400		
38 Flange Assembly	R0055000		
39 Flange Bolt and Washer Assembly	R0211200		
40 Flange, 2"	10573500		
41 Flange Sleeve, 2"	S0078200		
ELECTRICAL SYSTEM			
42 Temperature Control Assembly (Note 1)	R0211300		
43 Knob/Temp-Lok Set	R0211400		
44 Bezel	R0209900		
45 Venturi Pressure Switch	R0203300		
46 Tube, Venturi Pressure Switch Throat	R0202300		
47 Tube, Venturi Pressure Switch Filter	R0202500		
48 Pressure Switch Assembly	N/A		
49 Pressure Switch, 2 PSI	R0013200		
50 Siphon Loop Assembly	R0208300		
51 Pressure Switch Tubing	R0202400		
52 Ignition Control	R0202900		