

# INSTALLATION INSTRUCTIONS

## AIRJET®

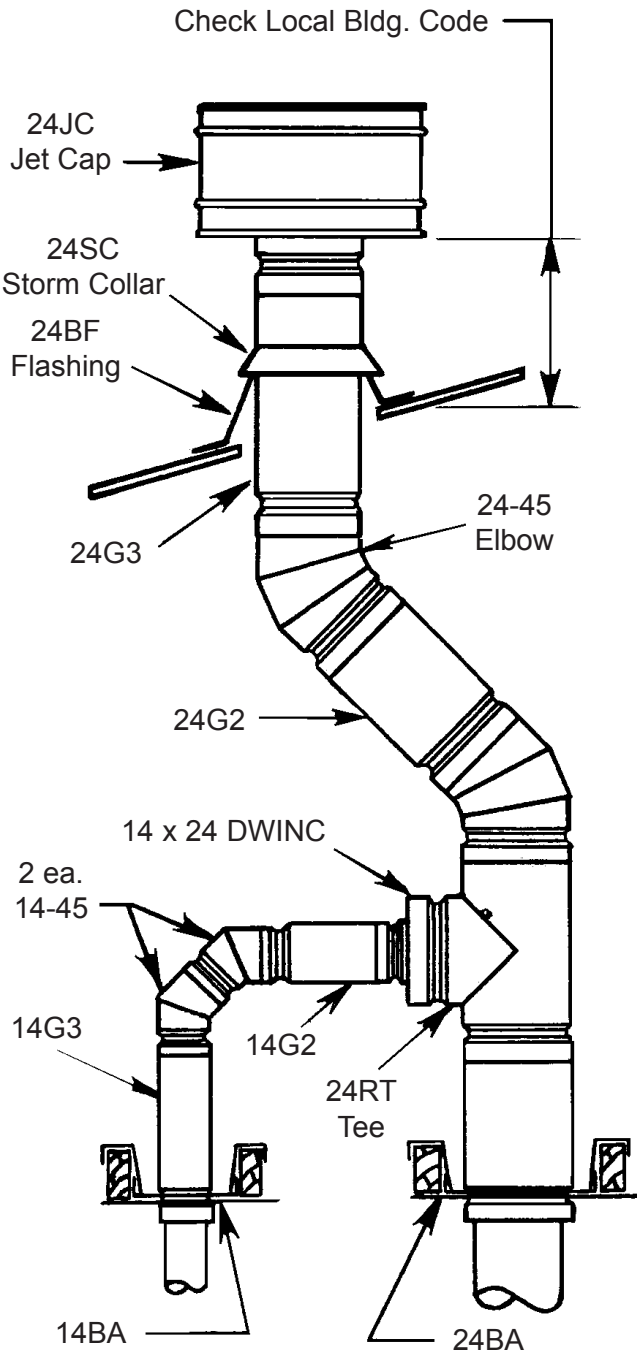
### TYPE B GAS VENT 14-24" DIAMETER

# SNAPFAST

Min. 24" above sheathing, also 24" above any portion of a building within 10'.

Note: To assemble vents - line up seams on two pieces, insert male end until lock "snaps" - lock may be opened by using screwdriver.

1. These vents may be used to vent listed gas appliances except those appliances which are required to be connected to chimneys. Appliances which may be vented with these vents include unit heaters, duct furnaces, water heaters, room space heaters, central warm air furnaces, hot water boilers and steam boilers.
2. Installers should post notice in close proximity to appliance connection as follows: "This gas vent is for appliances which burn gas only. Do not connect to incinerators or solid or liquid burning appliances." (Metal Tags with this wording are available from AirJet, Inc.)
3. Appliances which must be connected to chimneys include all incinerators, all appliances which may be converted readily to use of solid or liquid fuels, combination gas-oil burning appliances, and unlisted appliances.
4. Starting at draft diverter mounted on furnace or appliance use AirJet vent and fittings to make up complete vent. Vent may be terminated with AirJet rain cap (Jet Cap JC).
5. Sizes 14-24" round vents may be completely enclosed provided 1" minimum clearance from combustibles is maintained. Portions of vents which may extend through accessible space should be enclosed to avoid personal contact with and damage to the vent. Maximum height of vent to be supported by one base support assembly (BA) should not exceed 30 feet. Additional supports may be used for higher vents.
6. Locate Storm Collar (SC) approximately 1" above boot flashing and waterproof joint between vent and storm collar with roofing or furnace cement.
7. These instructions apply to 14-24" AirJet round gas vent. See Instruction sheet 205B for 3"-12" AirJet round gas vent and fittings and to 4" and 5" AirJet oval vent when used as B Vent. For installation of AirJet 4" oval (4GWS) as BW vent see instruction sheet INS-209A.
8. To be installed in accordance with the National Building Code recommended by the National Fire Protection Association standard for chimneys, fire places and venting systems (NFPA-211).



Include this sheet with 14-23G3 and 14-24JC.

AirJet, Inc. - 3020 Mine Road - Fredericksburg, Virginia 22408  
Phone 866-3AIRJET Facsimile 574-262-2075